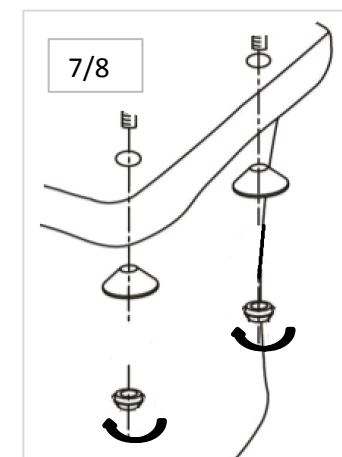
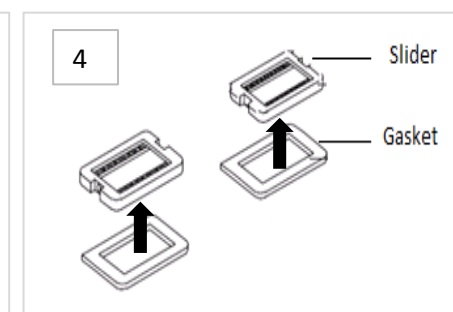
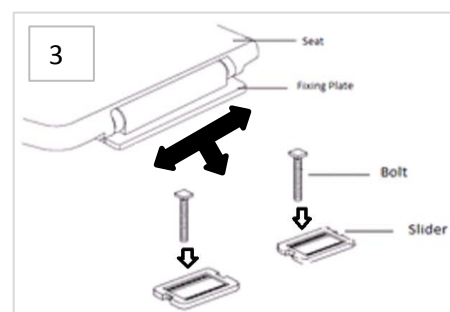
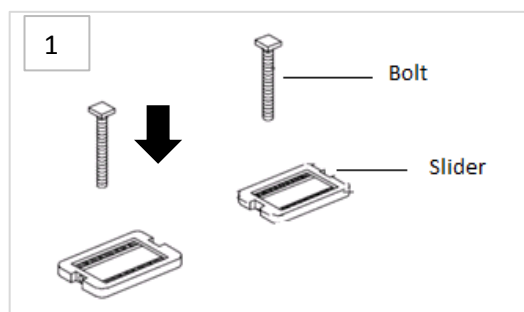
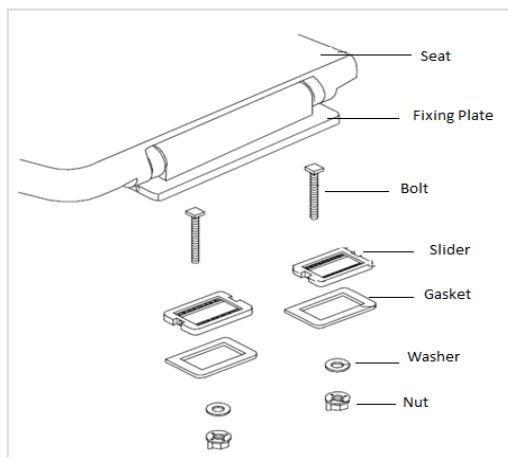


# Cosmo Toilet Seat

## Installation and Maintenance

**PLEASE READ THIS INSTRUCTION GUIDE FULLY PRIOR TO COMMENCING ANY PART OF THE INSTALLATION**

**IMPORTANT ! - Your toilet seat requires the seat to be fitted prior to installation of the toilet to the soil pipe as the seat is bottom fix and access is required to the underside of the toilet, please check this before installing your toilet**



1. Place the bolt through the slider, so the head sits in the recess and will sit between the slider and the fixing plate
2. Turn the seat upside down to view the fixing plate
3. Slot the slider with the bolt fitted into the fixing plate and slide along, so that the slider is retained in the fixing plate
4. Fit the gasket to the slider, so that it will sit between the slider and the toilet surface to prevent slipping
5. Adjust the slider so that the bolts align with the holes on the toilet and the seat is aligned with the toilet bowl
6. Place the bolt stem through the holes in the toilet
7. From underneath the toilet, place the washer onto the threaded stem of the bolt
8. Connect the nut and tighten until the seat is secure.

NOTE - Over time the fittings may loosen slightly, this is normal use, simply re-tighten by hand.

IMPORTANT - This seat has a built in soft close function, do not force the seat or lid down to close as this could damage the mechanism

To maintain the surface finish of your product, wipe clean after every use, using a clean damp cloth, a mild detergent mixture can be used.

Do not use abrasive cleaning agents/materials which can strip and scratch the surface, use of these agents/materials can invalidate your guarantee

8788 - V1 - MAY 19